

Data sheet

SP04AxxVBNC ASP04A

Page 1/6

P/N
ASP04Axx22

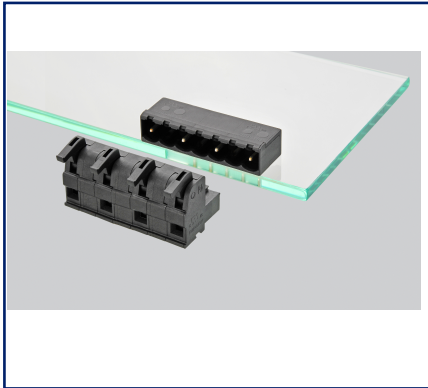
xx=number of poles

2025/08/25

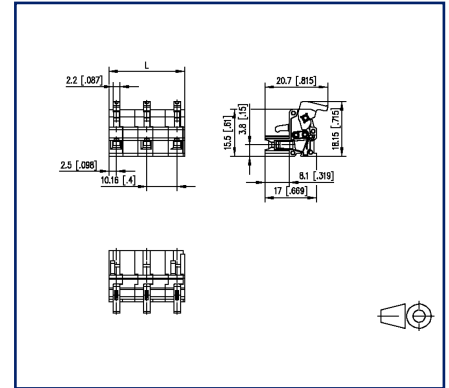
Version: T

Illustrations

Katalogbild



Dimensional drawing as an example



See enlarged drawings at the end of document

Product specification

- spring clamp terminal block, pluggable
- centerline 10.16 mm, direction of connection vertical 0°
- fittable without loss of poles
- color black
- eccentric lever, wire entry uncodeable side parallel to plug direction



Data sheet
SP04AxxVBNC ASP04A

P/N
ASP04Axx22
xx=number of poles
2025/08/25
Version: T

Technical Data

General Data

min. number of poles	2		
max. number of poles	12		
Insulating material class	CTI 400		
clearance/creepage dist.	9.16 mm		
Protection category	IP20		
Insul. strip length	4 mm		
Rated current	10 A		
Overvoltage category	III	III	II
Pollution degree	3	2	2
Rated voltage	32 V	200 V	200 V
Rated test voltage	2.5 kV	2.5 kV	2.5 kV

Terminal data

rat.wiring solid AWGmax	0.08 mm ² - 1.5 mm ² / AWG 28 - AWG 16		
rat.wiring strand.AWGmax	0.08 mm ² - 1.5 mm ² / AWG 28 - AWG 16		

Approvals

	630 V / 6 kV / 10 A
---	---------------------

Material

insulating material	PA46
flammability class	V0
spring material	Spring steel
contact material	CuSn
Contact surface	Sn
Glow-Wire Flammability GWFI	-
Glow-Wire Flammability GWIT	-

Climatic Data

upper limit temperature	105 °C
lower limit temperature	-40 °C

general

Tolerance	ISO 2768 -mH
-----------	--------------

Application note

Data sheet

Page 3/6

SP04AxxVBNC ASP04A

P/N

ASP04Axx22**xx=number of poles**

2025/08/25

Version: T

Technical Data

This product is a standard product of METZ CONNECT. METZ CONNECT is not aware of the specific intended use of the goods by the Customer or any customers of the Customer. The Customer guarantees that it has fully and sufficiently tested the use of the goods and any product modifications, product changes or product enhancements with regard to the specific intended use in accordance with the state of the art or in any other way. At METZ CONNECT's request, the Customer shall submit and make available meaningful evidence (e.g. test and laboratory protocols, certifications, etc.).



Data sheet

SP04AxxVBNC ASP04A

Page 4/6

P/N

ASP04Axx22**xx=number of poles**

2025/08/25

Version: T

Accessories

P/N	Designation
700025-01-9	Coding star white with a group of 6 coding pins



Data sheet

SP04AxxVBNC ASP04A

Page 5/6

P/N

ASP04Axx22**xx=number of poles**

2025/08/25

Version: T

Counterpart

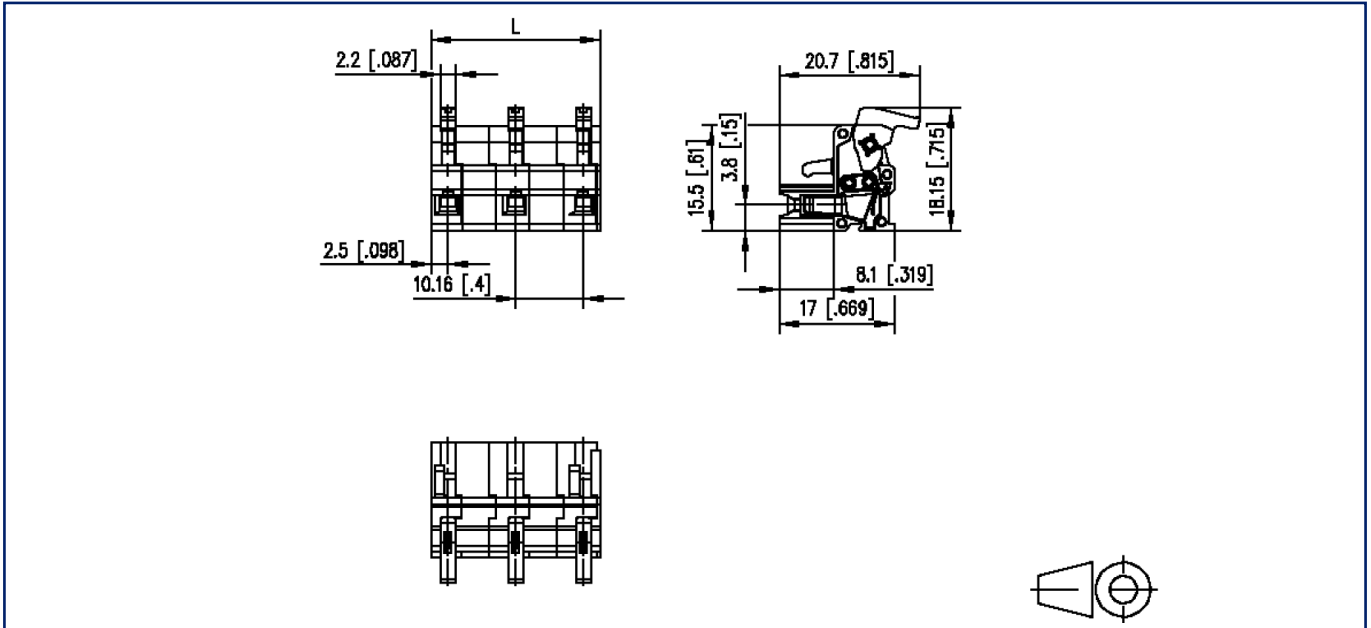
P/N	Designation
311782	PR06AxxHBBN Typ 178
311792	PR06AxxVBBN Typ 179
312192	PT11AxxVBEC Type 219
312202	PT11AxxVBBN Type 220
312292	PT11AxxHBEC Type 229
312302	PT11AxxHBBN Type 230

Data sheet
SP04AxxVBNC ASP04A

P/N
ASP04Axx22
 xx=number of poles
 2025/08/25
 Version: T

Illustrations

Dimensional drawing as an example



$L = (\text{pole size} - 1) \times \text{centerline} + 5 \text{ mm} [0.197]$