

Data sheet

KRA-S12/21-21-21, 3 changeover contacts, 24 V AC/DC

Page 1/6

P/N
11060913

EAN 4250184122555

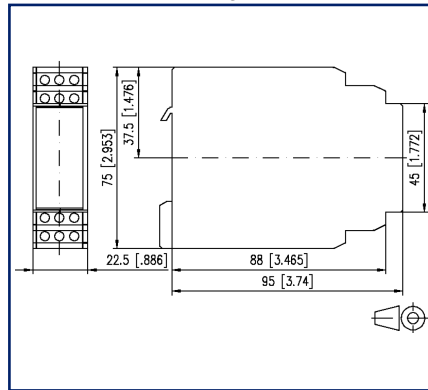
2025/08/19

Version: H

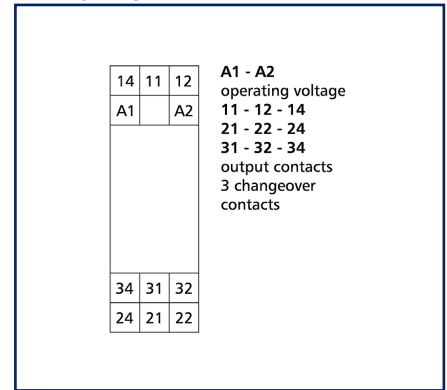
Illustrations



Dimensional drawing



Wiring diagram



See enlarged drawings at the end of document

Product specification

Coupling devices are used to electrical isolation between logic and load.

- Connection with screw-type terminals



KRA-S12/21-21-21, 3 changeover contacts, 24 V AC/DC

P/N

11060913

EAN 4250184122555

2025/08/19

Version: H

Technical Data

Supply

Operating voltage	24 V AC/DC -10% ... +10%
Power consumption (max.)	50 mA
Power consumption DC (max.)	13 mA
Total current	3 x 6 A
Response time typical	10 ms
Release time typical	5 ms

Outputs

Contacts	3 changeover contacts
Contact material	AgSnO ₂
Switching voltage (max.)	250 V AC/DC
Switch-on current	8 A
Continuous Current	6 A
Switching frequency	360 switching cycles/h
Breaking capacity (resistive load)	
Mechanical life	1x10 ⁷ switching cycles
Electrical life	1x10 ⁵ switching cycles
Indicator	red LED

Insulation coil - contact set

Nominal voltage of the power supply system	230 / 400 V AC
Overvoltage category	III II
Degree of pollution	2 2
Rated test voltage	4 kV 2.5 kV
Type of insulation	basic insulation reinforced insulation

Housing

Dimensions	
Dimension (W x H x D)	22.5 mm x 75 mm x 95 mm
Dimension (W x H x D)	0.886 in. x 2.953 in. x 3.74 in.
Weight	140 g
Mounting style	Standard rail TH35
Mounting position	any
Apposition	without distance
Connection type	Screw type terminal blocks

KRA-S12/21-21-21, 3 changeover contacts, 24 V AC/DC

P/N

11060913

EAN 4250184122555

2025/08/19

Version: H

Technical Data

Terminal blocks

Wire cross section solid	0.2 mm ² - 2.5 mm ² / AWG 22-12
Wire cross section multi	0.25 mm ² - 2.5 mm ² / AWG 22-12
Wire cross section with wire ferrule	0.25 mm ² - 2.5 mm ² / AWG 22-12
Screw torque (max.)	0.5 Nm
Stripping length (min.)	8 mm

Material

Material - Housing	Polyamid 6.6 V0
Color	gray
Material - Terminal block	Polyamid 6.6 V0

Protection category according to IEC 60529

Protection category - housing (acc. to IEC 60529)	IP40
Protection category - terminal blocks (acc. to IEC 60529)	IP20

Climatic Data

Operating	
Temperature - Operating °C	-20 °C - 55 °C
Temperature - Operating °F	-4 °F - 131 °F
Relative humidity	max. 85 % non-condensing

Storage

Temperature - Storage °C	-25 °C - 70 °C
Temperature - Storage °F	-13 °F - 158 °F

Power loss

Power loss (typical) coil	900 mW
Power loss (typical) Contact rate	700 mW

Classifications

ETIM 7.0	EC001437
ETIM 8.0	EC001437
ETIM 9.0	EC001437
ETIM 10.0	EC001437

Data sheet

Page 4/6

KRA-S12/21-21-21, 3 changeover contacts, 24 V AC/DC

P/N

11060913

EAN 4250184122555

2025/08/19

Version: H

Technical Data

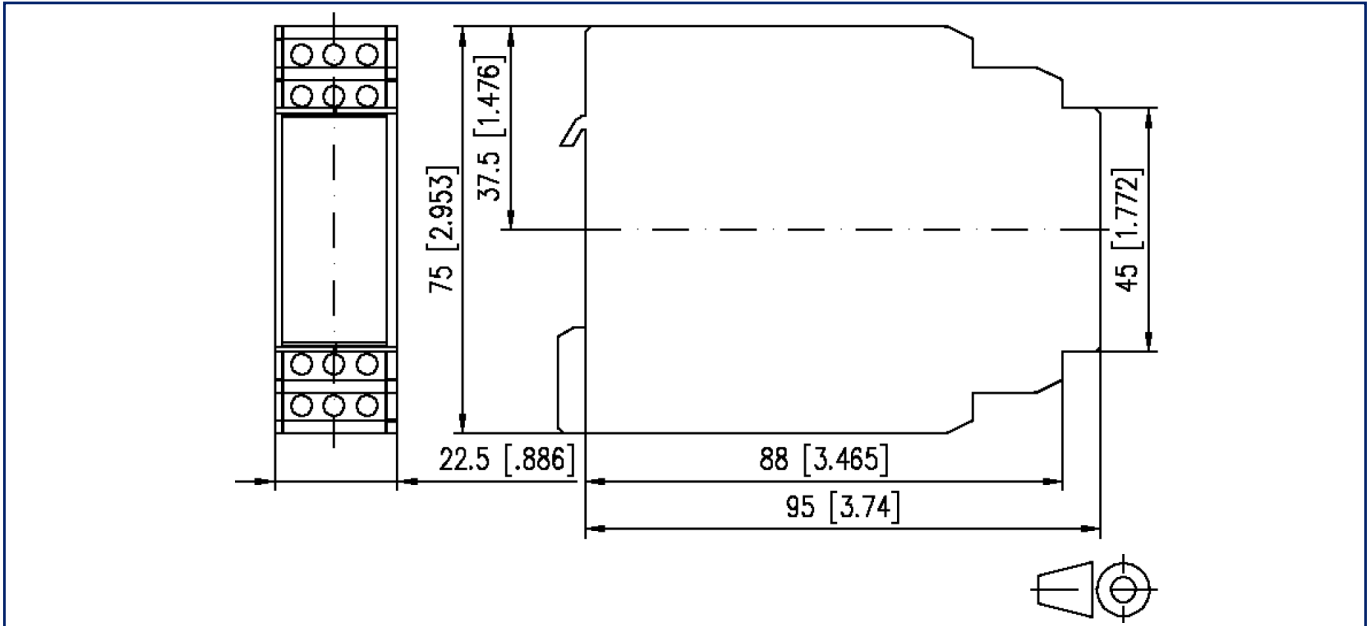
Application note

This product is a standard product of METZ CONNECT. METZ CONNECT is not aware of the specific intended use of the goods by the Customer or any customers of the Customer. The Customer guarantees that it has fully and sufficiently tested the use of the goods and any product modifications, product changes or product enhancements with regard to the specific intended use in accordance with the state of the art or in any other way. At METZ CONNECT's request, the Customer shall submit and make available meaningful evidence (e.g. test and laboratory protocols, certifications, etc.).

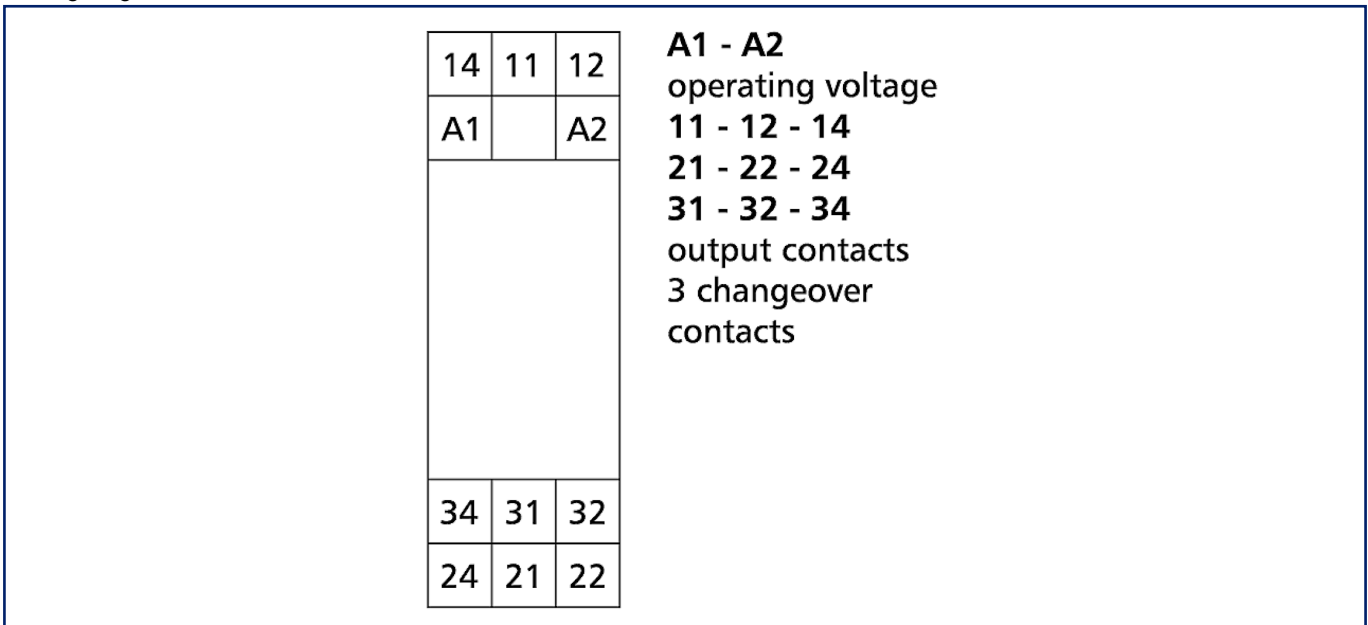


Illustrations

Dimensional drawing



Wiring diagram



Data sheet

Page 6/6

KRA-S12/21-21-21, 3 changeover contacts, 24 V AC/DC

P/N

11060913

EAN 4250184122555

2025/08/19

Version: H

Illustrations

Circuit diagram

