

Data sheet

Current Converter TAmini 50/5 A

Page 1/4

P/N

1101810507

EAN 4250184120469

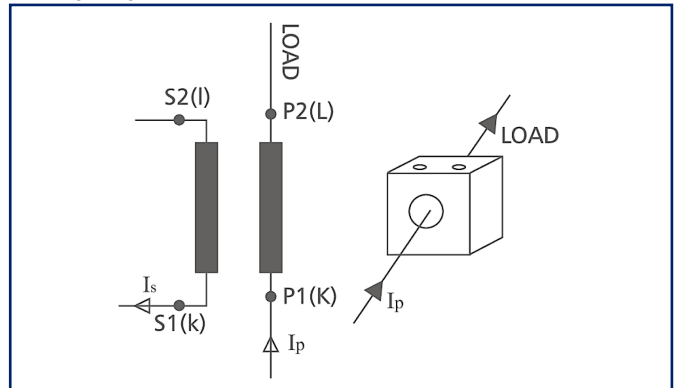
2025/08/20

Version: E

Illustrations



Wiring diagram



See enlarged drawings at the end of document

Product specification

The current converter TAmini is used for measuring currents that are beyond the measuring range of the directly connected measuring instrument.

- small current converter for mounting on 35 mm DIN rail
- Hole diameter: 21 mm, suitable for cables and rail 20 x 5 mm



Data sheet

Page 2/4

Current Converter TAmiNi 50/5 A

P/N

1101810507

EAN 4250184120469

2025/08/20

Version: E

Technical Data**Housing**

Connection type screw connection

Material

Color brown

Climatic Data

Operating

Relative humidity max. 85 % non-condensing

Classifications

ETIM 7.0 EC002048

ETIM 8.0 EC002048

ETIM 9.0 EC002048

ETIM 10.0 EC002048

Application note

This product is a standard product of METZ CONNECT. METZ CONNECT is not aware of the specific intended use of the goods by the Customer or any customers of the Customer. The Customer guarantees that it has fully and sufficiently tested the use of the goods and any product modifications, product changes or product enhancements with regard to the specific intended use in accordance with the state of the art or in any other way. At METZ CONNECT's request, the Customer shall submit and make available meaningful evidence (e.g. test and laboratory protocols, certifications, etc.).



Data sheet

Page 3/4

Current Converter TAmni 50/5 A

P/N

1101810507

EAN 4250184120469

2025/08/20

Version: E

Accessories from

P/N	Designation
11027205	EIW-C18 230 V AC
11027210	EIW-C18 24 V AC
1102810520	CPW-E12, 230 V AC, 1 - 10 A

Illustrations

Wiring diagram

