



Product information – OpDAT REGpro



Product description

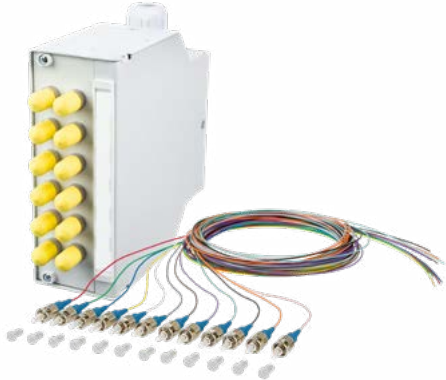

- > Compact distributor housing for TH35 DIN rail systems
- > Prepared and mounted for immediate use
- > Several variants for various uses:
 - installation of pre-terminated cables
 - splicing of installation cables on pigtails
 - connection of installation cables
- > Available in 2 sizes:
 - OpDAT REGpro suitable for up to 12 connectors or splice connections
 - OpDAT REGpro24 suitable for up to 24 connectors or splice connections
- > Removable splice tray for up to 12 splices, equipped with crimp or shrink splice holders
- > Cable insertion from above or below, straight or inclined, suitable for M20 strain relief
- > Front area with identification strips
- > Various mounting positions on the DIN rail system possible
- > Housing made from sheet steel, powder coated (RAL 7035 light grey)

Variants

DESCRIPTION	VIK VARIANT	SPLICE VARIANT
		
Properties	<ul style="list-style-type: none"> > Housing with mounted front plate and adapters > Prepared for installation of pre-terminated installation cables (VIK) > suitable for VIKs with universal and breakout cables with a maximum of 12 fibers > suitable for VIKs with mini-breakout cables with a maximum of 24 fibers 	<ul style="list-style-type: none"> > Housing with mounted front plate, adapters and splice trays > Pigtails already built in and stripped > suitable for splicing installation cables > faster installation through splicing prepared pigtails
Accessories	<ul style="list-style-type: none"> > DIN rail holder > Identification label 	<ul style="list-style-type: none"> > DIN rail holder > Identification label > Cable gland with strain relief* > Cable connectors

*2x for OpDAT REGpro24 housing

Variants

DESCRIPTION	BLISTER VARIANT	CONNECT VARIANT
		
Properties	<ul style="list-style-type: none"> > Housing with mounted front plate, adapters and splice trays > Pigtails arranged in blister > Suitable for splicing installation cables > simple handling through single pigtails 	<ul style="list-style-type: none"> > housing with mounted blind plate and spice tray > suitable for connecting a maximum of 2 installation cables > compact connection of installation cables e.g. for extending a connection or displacing distribution cabinets
Accessories	<ul style="list-style-type: none"> > DIN rail holder > Identification label > Cable gland with strain relief* > Cable connectors 	<ul style="list-style-type: none"> > DIN rail holder > Identification label > 2x cable gland with strain relief > Cable connectors

*2x for OpDAT REGpro24 housing

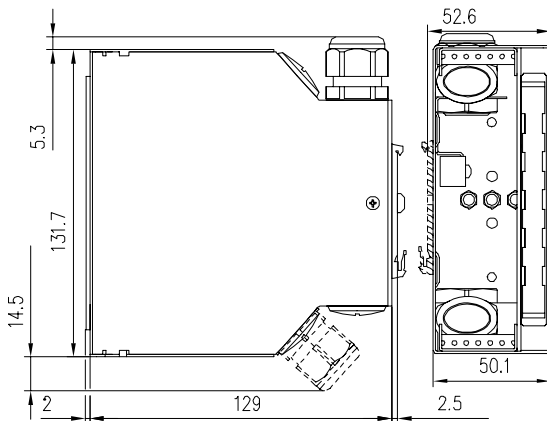
Adapters, maximum stocking

ADAPTER TYPE	OPDAT REGPRO	OPDAT REGPRO 24
SC-Simplex	max. 12	-
SC-Duplex	max. 6	-
LC-Duplex	max. 6	-
LC-Quad	-	max. 6
E2000-Simplex	max. 12	-
ST-Simplex	max. 12	-
ST-Duplex	max. 6	-

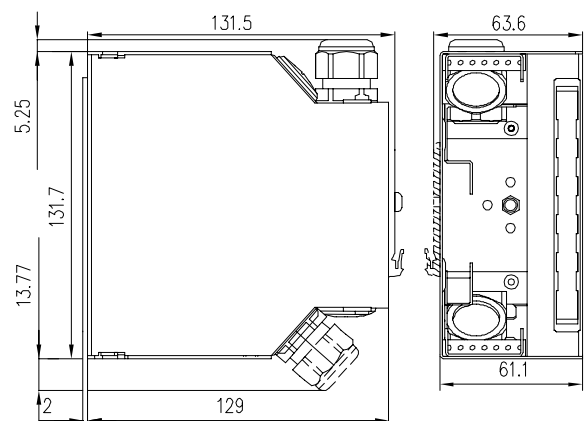
These recommendations do not apply to the Connect variant, as it does not contain adapters.

Dimensional drawing

OpDAT REGpro



OpDAT REGpro 24



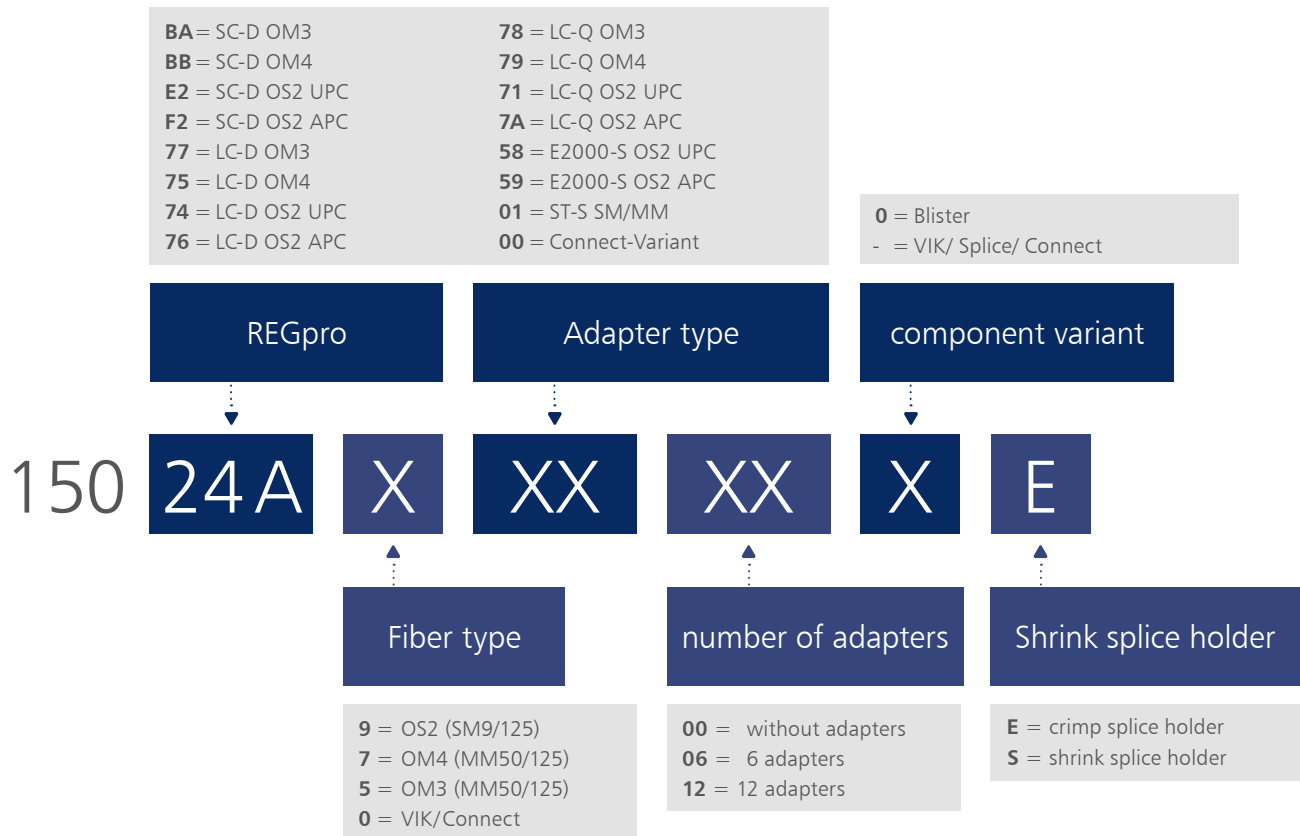
Ordering information

FIBER TYPE	ADAPTER TYPE	ADAPTER COLOR	NUMBER OF ADAPTERS	HOUSING TYPE	P/N
VIK VARIANT					
OM3	SC-D	aqua	6	OpDAT REGpro	15024A0BA06-E
	LC-D		6	OpDAT REGpro	15024A07706-E
	LC-Q		6	OpDAT REGpro24	15024A07806-E
OM4	SC-D	heather violet	6	OpDAT REGpro	15024A0BB06-E
	LC-D		6	OpDAT REGpro	15024A07506-E
	LC-Q		6	OpDAT REGpro24	15024A07906-E
OS2	SC-D UPC	blue	6	OpDAT REGpro	15024A0E206-E
	LC-D UPC		6	OpDAT REGpro	15024A07406-E
	LC-Q UPC		6	OpDAT REGpro24	15024A07106-E
	SC-D APC	green	6	OpDAT REGpro	15024A0F206-E
	LC-D APC		6	OpDAT REGpro	15024A07606-E
	LC-Q APC		6	OpDAT REGpro24	15024A07A06-E
	E2000-S APC		12	OpDAT REGpro	15024A05912-E
SM+MM	ST-S	metal	12	OpDAT REGpro	15024A00112-E
SPLICE VARIANT					
OM3	SC-D	aqua	6	OpDAT REGpro	15024A5BA06-E
	LC-D		6	OpDAT REGpro	15024A57706-E
	LC-Q		6	OpDAT REGpro24	15024A57806-E
	ST-S	metal	12	OpDAT REGpro	15024A50112-E
OM4	SC-D	heather violet	6	OpDAT REGpro	15024A7BB06-E
	LC-D		6	OpDAT REGpro	15024A77506-E
	LC-Q		6	OpDAT REGpro24	15024A77906-E
	ST-S	metal	12	OpDAT REGpro	15024A70112-E
OS2	SC-D UPC	blue	6	OpDAT REGpro	15024A9E206-E
	LC-D UPC		6	OpDAT REGpro	15024A97406-E
	LC-Q UPC		6	OpDAT REGpro24	15024A97106-E
	ST-S UPC	metal	12	OpDAT REGpro	15024A90112-E
	SC-D APC	green	6	OpDAT REGpro	15024A9F206-E
	LC-D APC		6	OpDAT REGpro	15024A97606-E
	LC-Q APC		6	OpDAT REGpro24	15024A97A06-E
	E2000-S APC		12	OpDAT REGpro	15024A95912-E

Ordering information

FIBER TYPE	ADAPTER TYPE	ADAPTER COLOR	NUMBER OF ADAPTERS	HOUSING TYPE	P/N
BLISTER VARIANT					
OM3	SC-D	aqua	6	OpDAT REGpro	15024A5BA060E
	LC-D		6	OpDAT REGpro	15024A577060E
	LC-Q		6	OpDAT REGpro24	15024A578060E
	ST-S	metal	12	OpDAT REGpro	15024A501120E
OM4	SC-D	heather violet	6	OpDAT REGpro	15024A7BB060E
	LC-D		6	OpDAT REGpro	15024A775060E
	LC-Q		6	OpDAT REGpro24	15024A779060E
	ST-S	metal	12	OpDAT REGpro	15024A701120E
OS2	SC-D UPC	blue	6	OpDAT REGpro	15024A9E2060E
	LC-D UPC		6	OpDAT REGpro	15024A974060E
	LC-Q UPC		6	OpDAT REGpro24	15024A971060E
	ST-S UPC	metal	12	OpDAT REGpro	15024A901120E
	SC-D APC	green	6	OpDAT REGpro	15024A9F2060E
	LC-D APC		6	OpDAT REGpro	15024A976060E
	LC-Q APC		6	OpDAT REGpro24	15024A97A060E
E2000-S APC	12		OpDAT REGpro	15024A959120E	
CONNECT VARIANT					
-	-	-	-	OpDAT REGpro	15024A00000-E
-	-	-	-	OpDAT REGpro24	15024A00000-E24

Ordering information



Further combinations possible on request!

METZ CONNECT GmbH is a member of the following organizations and associations.



METZ CONNECT GmbH

Im Tal 2
78176 Blumberg
Germany

Phone +49 7702 533-0
Fax +49 7702 533-189

info@metz-connect.com
www.metz-connect.com

METZ CONNECT USA Inc.

200 Tornillo Way
Tinton Falls, NJ 07712
USA

Phone +1-732-389-1300
Fax +1-732-389-9066

METZ CONNECT France SAS

28, Rue Schweighaeuser
67000 Strasbourg
France

Phone +33 3886 170 73
Fax +33 3886 194 73

METZ CONNECT AUSTRIA GmbH

c/o German chamber of commerce
in Austria

Schwarzenbergplatz 5, Top 3/1
1030 Vienna
Austria

Phone +43 1 227 12 64
Fax +43 1 227 12 66

METZ CONNECT Zhongshan Ltd.

Ping Chang Road
Ping Pu Industrial Park
Sanxiang Town
Zhongshan City, 528463
Guangdong Province
China

Phone +86 760 86365 055
Fax +86 760 86365 050

METZ CONNECT Asia Pacific Ltd.

Suite 1803, 18/F
Chinachem Hollywood Centre,
1 Hollywood Road, Central
Hong Kong

Phone +852 26 027 300
Fax +852 27 257 522

