

Product Information – RJ45 Patch cord Cat.6_A AWG 26



NOW
new with
wrap-around label
& 10pcs packing



- > especially suitable for shielded and unshielded class E_A systems
- > fully shielded Cat.6_A patch cord AWG 26/7
- > two shielded RJ45 connectors; 1:1 assignment
- > cable type: S/FTP 4x2xAWG 26/7 PIMF
- > cable sheath: LSHF (LSOH), halogen free
- > component testing for Cat.6_A acc. to ISO/IEC 11801-1 and IEC 61935, GHMT certified
- > Class E_A Link up to 500 MHz to ISO/IEC 11801-1, DIN EN 50173-1
- > suitable for 10 GBit Ethernet (IEEE 802.3an)

- > appropriate for Remote Powering (PoE, PoE plus and UPoE) and HDBaseT
- > snagless boot with integrated lever prediction
- > same width for snagless boot and RJ45 plug
- > minimum bending radius on transfer 8 x diameter, in misplaced condition 4 x diameter
- > available colours: black, orange, heather violet, gray, blue, green, red, yellow, white and purple
- > currently with the colours orange, heather violet and purple only with black grommets
- > 100 % testing in production for crimp heights and compliance Cat.6_A patch cable standard

Technical data

GENERAL DATA

Fields of application	Office
Design	Patch cord
Shielding	shielded
Transmission technology	Copper
Cable type	S/FTP
Number of twisting elements	4
Twisting element	Pair
Wiring	1 - 1
Color	All information see below

DIMENSIONS

Dimension - Interface 1 (L x W x H)	50.52 x 11.70 x 14.97 mm
Dimension - Interface 1 (L x W x H)	1.989 x 0.461 x 0.589 in.
Dimension - Interface 2 (L x W x H)	50.52 x 11.70 x 14.97 mm
Dimension - Interface 2 (L x W x H)	1.989 x 0.461 x 0.589 in.
Cable length (m)	All information see below
Cable length (ft)	All information see below
Marking option	by cable boot

TRANSMISSION CHARACTERISTICS

Category (ISO)	6A
Class (ISO/IEC)	E _A
Category (TIA)	6A
Remote Powering	yes
PoE	IEEE 802.3af
PoE plus	IEEE 802.3at
UPoE	yes
HDBaseT	yes
Transmission rate up to 10 GBit	IEEE 802.3an

Technical data

CONNECTIONS/INTERFACES

Connector technology interface 1	RJ45 plug
Connector technology interface 2	RJ45 plug
Number of ports interface 1	1
Number of ports interface 2	1
Number of equipped ports interface 1	1
Number of equipped ports interface 2	1
Number of positions/contacts interface 1	8P/8C
Number of positions/contacts interface 2	8P/8C
TERMINATION DATA, STRANDED WIRE	(min. - max.)
Conductor diameter, stranded wire (bare copper)	AWG 26/7
Conductor diameter, stranded wire (bare copper)	0.141 mm ²
Conductor diameter, stranded wire (bare copper)	0.483 mm
Conductor diameter, stranded wire (bare copper)	0.019 in.

ELECTRICAL CHARACTERISTICS

Current carrying capacity	max. 1 A
Rated voltage	max. 50 V
Contact resistance	max. 20 mOhm
Through resistance	max. 200 mOhm
Insulation resistance	min. 100 MOhm
Dielectric strength conductor-conductor (primarily)	max. 500 V DC
Dielectric strength conductor-conductor (secondary)	max. 500 V DC

MECHANICAL CHARACTERISTICS

Position/mounting of latch - standard installation position	top
---	-----

MATERIALS AND MATERIAL PROPERTIES

Material - Cable jacket	LSHF (LSOH)
Material - Plug housing interface 1	PC (polycarbonate)
Material - Plug housing interface 2	PC (polycarbonate)
Material - Contact interface 1	CuSn (tin bronze)
Material - Contact interface 2	CuSn (tin bronze)
Material - Contact finish interface 1	Au (gold)
Material - Contact finish interface 2	Au (gold)

Technical data

MATERIALS AND MATERIAL PROPERTIES

Material - Contact carriers interface 1	Plastics
Material - Contact carriers interface 2	Plastics
Material - Shield interface 1	CuSn (tin bronze)
Material - Shield interface 2	CuSn (tin bronze)
Material - Shield finish interface 1	Sn (tin)
Material - Shield finish interface 2	Sn (tin)
Halogen free	yes

ENVIRONMENTAL CONDITIONS

Temperature (min. - max.)

Temperature - Storage °C	-20 - 60 °C
Temperature - Storage °F	-4 - 140 °F
Temperature - Operating °C	-20 - 60 °C
Temperature - Operating °F	-4 - 140 °F
Temperature - Installation °C	0 - 50 °C
Temperature - Installation °F	32 - 122 °F

CERTIFICATIONS

GHMT component *)

Note for GHMT Component test. Approved lengths: 1, 2, 5, 10 and 20 m



APPROVAL

ROHS	compliant
------	-----------

THE PRODUCT MEETS THE FOLLOWING STANDARDS

Generic cabling systems	
General requirements	ISO/IEC 11801-1 DIN EN 50173-1 TIA/EIA 586
Connectors for electronic equipment. Free and fixed connectors	IEC 60603-7-51
Information technology equipment - Radio disturbance characteristics	DIN EN 55022
Specification for the testing of balanced and coaxial information technology cabling	
Cords as specified in ISO/IEC 11801 and related standards	IEC 61935-2 Ed. 3.0 (2010-07)

Technical data

CLASSIFICATIONS

ETIM 5.0

EC001262

ETIM 6.0

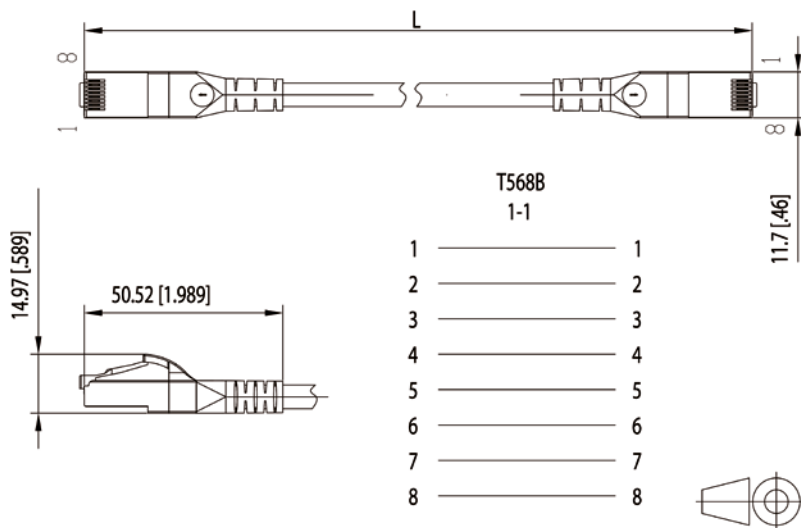
EC001262

PACKING DETAILS

Type of packaging

1 piece / plastic bag
or
10 pieces / plastic bag

Dimensional drawing



Order information

CORD COLOR/SLEEVE COLOR	LENGTH/M	P/N	P/N 10PCS PACKING
	0,2	1308450200-E	on request
	0,25	1308450A00-E	on request
	0,3	1308450300-E	on request
	0,5	1308450500-E	on request
	1	1308451000-E	1308451000-Z
	1,5	1308451500-E	on request
	2	1308452000-E	1308452000-Z
	2,5	1308452500-E	on request
	3	1308453000-E	on request
	4	1308454000-E	on request
	5	1308455000-E	1308455000-Z
	6	1308456000-E	on request
	7	1308457000-E	on request
	7,5	1308457500-E	on request
	8	1308458000-E	on request
	10	130845A000-E	130845A000-Z
	13	130845A300-E	on request
	15	130845A500-E	on request
	20	130845B000-E	on request
	25	130845B500-E	on request
	30	130845C000-E	on request
	35	130845C500-E	on request
	40	130845D000-E	on request
	45	130845D500-E	on request



Order information

CORD COLOR/SLEEVE COLOR	LENGTH/M	P/N	P/N 10PCS PACKING
	0,2	1308450233-E	on request
	0,25	1308450A33-E	on request
	0,3	1308450333-E	on request
	0,5	1308450533-E	on request
	1	1308451033-E	1308451033-Z
	1,5	1308451533-E	on request
	2	1308452033-E	1308452033-Z
	2,5	1308452533-E	on request
	3	1308453033-E	on request
	3,5	1308453533-E	on request
	4	1308454033-E	on request
	4,5	1308454533-E	on request
	5	1308455033-E	1308455033-Z
	5,5	1308455533-E	on request
	6	1308456033-E	on request
	6,5	1308456533-E	on request
	7	1308457033-E	on request
	7,5	1308457533-E	on request
	8	1308458033-E	on request
	9	1308459033-E	on request
	10	130845A033-E	130845A033-Z
	11	130845A133-E	on request
	12	130845A233-E	on request
	13	130845A333-E	on request
	14	130845A433-E	on request
	15	130845A533-E	on request
	16	130845A633-E	on request
	17	130845A733-E	on request
	20	130845B033-E	on request
	25	130845B533-E	on request
	30	130845C033-E	on request
	35	130845C533-E	on request
	40	130845D033-E	on request
	45	130845D533-E	on request
	50	130845E033-E	on request
	60	130845F033-E	on request



Order information

CORD COLOR/SLEEVE COLOR	LENGTH/M	P/N	P/N 10PCS PACKING
	0,2	1308450244-E	on request
	0,25	1308450A44-E	on request
	0,3	1308450344-E	on request
	0,5	1308450544-E	on request
	0,7	1308450744-E	on request
	1	1308451044-E	1308451044-Z
	1,5	1308451544-E	on request
	2	1308452044-E	1308452044-Z
	2,5	1308452544-E	on request
	3	1308453044-E	on request
	4	1308454044-E	on request
	5	1308455044-E	1308455044-Z
	6	1308456044-E	on request
	7	1308457044-E	on request
	7,5	1308457544-E	on request
	10	130845A044-E	130845A044-E
	15	130845A544-E	on request
	20	130845B044-E	on request
	25	130845B544-E	on request
	30	130845C044-E	on request
	35	130845C544-E	on request
	40	130845D044-E	on request
	45	130845D544-E	on request
	60	130845F044-E	on request



Order information

CORD COLOR/SLEEVE COLOR	LENGTH/M	P/N	P/N 10PCS PACKING
	0,2	1308450255-E	on request
	0,3	1308450355-E	on request
	0,5	1308450555-E	on request
	0,7	1308450755-E	on request
	1	1308451055-E	1308451055-Z
	1,5	1308451555-E	on request
	2	1308452055-E	1308452055-Z
	2,5	1308452555-E	on request
	3	1308453055-E	on request
	4	1308454055-E	on request
	5	1308455055-E	1308455055-Z
	6	1308456055-E	on request
	7	1308457055-E	on request
	7,5	1308457555-E	on request
	8	1308458055-E	on request
	10	130845A055-E	130845A055-Z
	15	130845A555-E	on request
	20	130845B055-E	on request
	25	130845B555-E	on request
	30	130845C055-E	on request
	35	130845C555-E	on request
	40	130845D055-E	on request
	45	130845D555-E	on request
	50	130845E055-E	on request



green/green

Order information

CORD COLOR/SLEEVE COLOR	LENGTH/M	P/N	P/N 10PCS PACKING
	0,2	1308450266-E	on request
	0,3	1308450366-E	on request
	0,4	1308450466-E	on request
	0,5	1308450566-E	on request
	1	1308451066-E	1308451066-Z
	1,5	1308451566-E	on request
	2	1308452066-E	1308452066-Z
	2,5	1308452566-E	on request
	3	1308453066-E	on request
	3,5	1308453566-E	on request
	4	1308454066-E	on request
	4,5	1308454566-E	on request
	5	1308455066-E	1308455066-Z
	5,5	1308455566-E	on request
	6	1308456066-E	on request
	6,5	1308456566-E	on request
	7	1308457066-E	on request
	7,5	1308457566-E	on request
	10	130845A066-E	130845A066-Z
	15	130845A566-E	on request
	20	130845B066-E	on request
	25	130845B566-E	on request
	30	130845C066-E	on request
	40	130845D066-E	on request
	50	130845E066-E	on request



red/red


Order information

CORD COLOR/SLEEVE COLOR	LENGTH/M	P/N	P/N 10PCS PACKING
	0,2	1308450277-E	on request
	0,3	1308450377-E	on request
	0,5	1308450577-E	on request
	0,7	1308450777-E	on request
	1	1308451077-E	1308451077-Z
	1,5	1308451577-E	on request
	2	1308452077-E	1308452077-Z
	2,5	1308452577-E	on request
	3	1308453077-E	on request
	3,5	1308453577-E	on request
	4	1308454077-E	on request
	4,5	1308454577-E	on request
	5	1308455077-E	1308455077-Z
	5,5	1308455577-E	on request
	6	1308456077-E	on request
	6,5	1308456577-E	on request
	7	1308457077-E	on request
	7,5	1308457577-E	on request
	8	1308458077-E	on request
	10	130845A077-E	130845A077-Z
	15	130845A577-E	on request
	20	130845B077-E	on request
	25	130845B577-E	on request
	30	130845C077-E	on request
	35	130845C577-E	on request
	40	130845D077-E	on request
	45	130845D577-E	on request
	50	130845E077-E	on request





yellow/yellow



Order information

CORD COLOR/SLEEVE COLOR	LENGTH/M	P/N	P/N 10PCS PACKING
 white/white	0,2	1308450288-E	on request
	0,5	1308450588-E	on request
	1	1308451088-E	1308451088-Z
	1,5	1308451588-E	on request
	2	1308452088-E	1308452088-Z
	2,5	1308452588-E	on request
	3	1308453088-E	on request
	5	1308455088-E	1308455088-Z
	6	1308456088-E	on request
	7	1308457088-E	on request
	7,5	1308457588-E	on request
	8	1308458088-E	on request
	10	130845A088-E	130845A088-Z
	12	130845A288-E	on request
	15	130845A588-E	on request
	20	130845B088-E	on request
	30	130845C088-E	on request

Order information

	CORD COLOR/SLEEVE COLOR	LENGTH/M	P/N	P/N 10PCS PACKING
 <p>orange/black</p>		0,5	1308450501-E	on request
		1	1308451001-E	1308451001-Z
		2	1308452001-E	1308452001-Z
		3	1308453001-E	on request
		5	1308455001-E	1308455001-Z
		7	1308457001-E	on request
		10	130845A001-E	130845A001-Z
	 <p>magenta/black</p>		0,5	1308450502-E
		1	1308451002-E	1308451002-Z
		1,5	1308451502-E	on request
		2	1308452002-E	1308452002-Z
		3	1308453002-E	on request
		5	1308455002-E	1308455002-Z
		7	1308457002-E	on request
		10	130845A002-E	130845A002-Z
 <p>purple/black</p>		0,5	1308450509-E	on request
		1	1308451009-E	1308451009-Z
		1,5	1308451509-E	on request
		2	1308452009-E	1308452009-Z
		3	1308453009-E	on request
		5	1308455009-E	1308455009-Z
		7	1308457009-E	on request
		10	130845A009-E	130845A009-Z

Order information

	CORD COLOR/ SLEEVE COLOR	LENGTH/M	P/N WRAP-AROUND LABEL	P/N 10PCS PACKING
	schwarz	1,0	1308451000WE	1308451000WZ
		2,0	1308452000WE	1308452000WZ
		5,0	1308455000WE	1308455000WZ
		10,0	130845A000WE	130845A000WZ
	orange-schwarz	1,0	1308451001WE	1308451001WZ
		2,0	1308452001WE	1308452001WZ
		5,0	1308455001WE	1308455001WZ
		10,0	130845A001WE	130845A001WZ
	magenta - schwarz	1,0	1308451002WE	1308451002WZ
		2,0	1308452002WE	1308452002WZ
		5,0	1308455002WE	1308455002WZ
		10,0	130845A002WE	130845A002WZ
	lila-schwarz	1,0	1308451009WE	1308451009WZ
		2,0	1308452009WE	1308452009WZ
		5,0	1308455009WE	1308455009WZ
		10,0	130845A009WE	130845A009WZ
	grau	1,0	1308451033WE	1308451033WZ
		2,0	1308452033WE	1308452033WZ
		5,0	1308455033WE	1308455033WZ
		10,0	130845A033WE	130845A033WZ
	blau	1,0	1308451044WE	1308451044WZ
		2,0	1308452044WE	1308452044WZ
		5,0	1308455044WE	1308455044WZ
		10,0	130845A044WE	130845A044WZ
	grün	1,0	1308451055WE	1308451055WZ
		2,0	1308452055WE	1308452055WZ
		5,0	1308455055WE	1308455055WZ
		10,0	130845A055WE	130845A055WZ
	rot	1,0	1308451066WE	1308451066WZ
		2,0	1308452066WE	1308452066WZ
		5,0	1308455066WE	1308455066WZ
		10,0	130845A066WE	130845A066WZ
	gelb	1,0	1308451077WE	1308451077WZ
		2,0	1308452077WE	1308452077WZ
		5,0	1308455077WE	1308455077WZ
		10,0	130845A077WE	130845A077WZ
	weiß	1,0	1308451088WE	1308451088WZ
		2,0	1308452088WE	1308452088WZ
		5,0	1308455088WE	1308455088WZ
		10,0	130845A088WE	130845A088WZ



We realize ideas

METZ CONNECT GmbH

Im Tal 2
78176 Blumberg
Germany

Phone +49 7702 533-0
Fax +49 7702 533-189

info@metz-connect.com
www.metz-connect.com

METZ CONNECT USA Inc.

200 Tornillo Way
Tinton Falls, NJ 07712
USA

Phone +1-732-389-1300
Fax +1-732-389-9066

METZ CONNECT France SAS

28, Rue Schweighaeuser
67000 Strasbourg
France

Phone +33 3886 17073
Fax +33 3886 19473

METZ CONNECT AUSTRIA GmbH
c/o German chamber of commerce
in Austria

Schwarzenbergplatz 5, Top 3/1
1030 Vienna
Austria

Phone +43 1 227 12 64
Fax +43 1 227 12 66

METZ CONNECT Zhongshan Ltd.

Ping Chang Road
Ping Pu Industrial Park
Sanxiang Town
Zhongshan City, 528463
Guangdong Province
China

Phone +86 760 86365055
Fax +86 760 86365050

METZ CONNECT Asia Pacific Ltd.

Suite 1803, 18/F
Chinachem Hollywood Centre,
1 Hollywood Road, Central
Hong Kong

Phone +852 26 027 300
Fax +852 27 257 522

