

## Product Information

# Three Phase Monitoring Relay

Function Monitoring of Buildings, Machines and Systems.



PFD3-E12  
P/N 110292032230

## Measuring Ranges



### Phase Sequence

- > L1-L2-L3 (direction of rotation to the right)



### Phase Failure

- > monitoring of phase voltage in case of complete failure
- > monitoring of zero connection on the device (terminal N)

## Benefits

- ✓ space-saving and compact design in a 22.5 mm slim industrial housing
- ✓ two relay contacts for error display and switch off motor contactors
- ✓ power supply direct from measuring circuit

Machines and systems are operated cost-effectively, therefore important functions must be precisely monitored. The early detection of failures serves to protect man and machine and prevents costly damage. The METZ CONNECT three phase monitoring relay is used for the safe monitoring of your system. By monitoring the most important system parameters, you don't only benefit from operational reliability but also from high availability of your system.

The three phase monitoring relay monitors the correct phase sequence and completes failures of individual phase voltages. In addition, the zero conductor is monitored by the PFD3. The device is supplied via the measuring circuit L1-L2-L3-(N). If the phase sequence is correct, the output relay is activated (green LED is on). In case of total failure of a phase or the zero conductor, the output relay returns to its neutral position (green LED is off).

## PFD2-E12

### Machines and systems

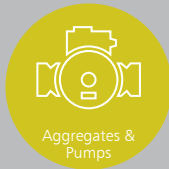
Monitoring of mobile motors on a right rotating direction.



Drilling-machines



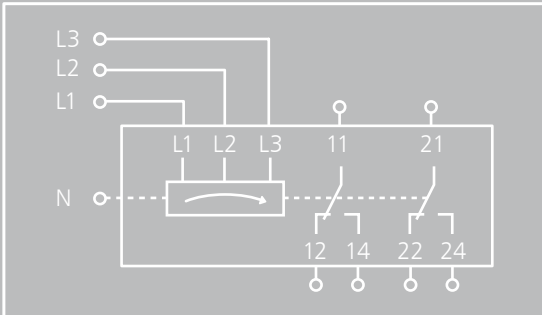
Saws



Aggregates & Pumps

Drilling-machines

Saws



## PFD3-E12

### Building and home automation

Monitoring of electrical cabinets in critical objects on phase failure.



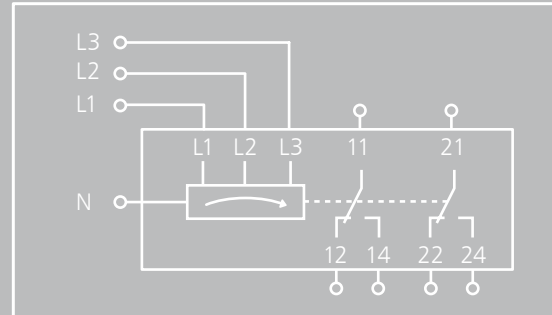
Hospitals





Museum



Data Centers



## Order Overview

		
Type	PFD2-E12	PFD3-E12
P/N	110292032215	110292032230
Functionality		
Phase Sequence	✓	✓
Phase Failure	✓	✓
Zero connection	-	✓
Supply and Measuring Voltage	L1-L2-L3   400 V	L1-L2-L3-N   400 V/230 V
Contacts	2 x Changeover Contact/(6 A/250 V AC)	2 x Changeover Contact/(6 A/250 V AC)