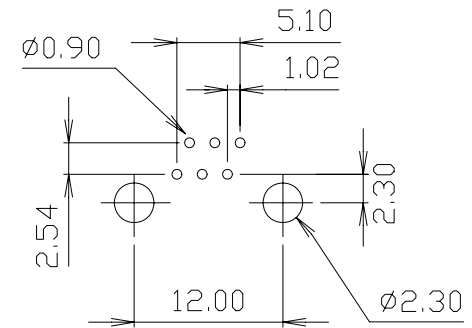


**MATERIALS:**

- HOUSING-PBT POLYESTER UL94V-0  
MIXED GLASS FIBER.  
STANDARD COLOR-BLACK
  - CONTACTS-0.45mm DIA. ROUND PHOS-BRONZE  
PLATED WITH HARD GOLD.
- CAVITY CONFIRMS TO FCC RULES AND REGULATIONS  
PART 68,SUBPART F.



PC Board Layout

**Ordering Information**

AJT87A	6	6	1	1 - 0 4 1
Type	Positions	Contacts	Ports	Plating Gray 1=w/ 1=6u" Panel Stops

<p><b>Tolerance</b> unless otherwise specified mm</p> <p>.0 ± .25 .00 ± .13 .000 ± .05</p>
--

	P/N: AJT87A6611-041
<p>Desc.: Side entry, unshielded, with panel stops, gray, thru hole modular jack</p>	
<p>Date: 9-20-10</p>	
<p>Dimensions in mm</p>	