

Data sheet

OpDAT LC-Q adapter OM3 (aqua) - 30 pieces

Page 1/4

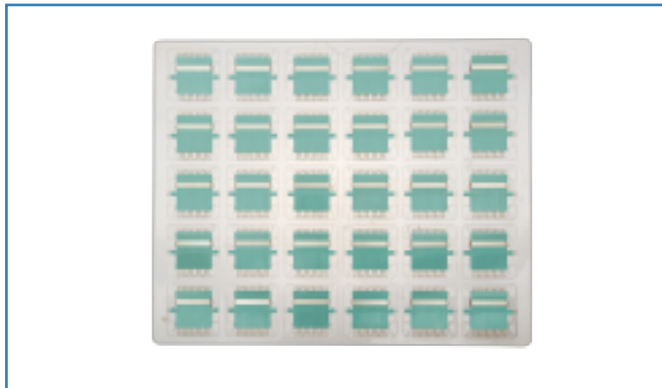
P/N

15090078-30

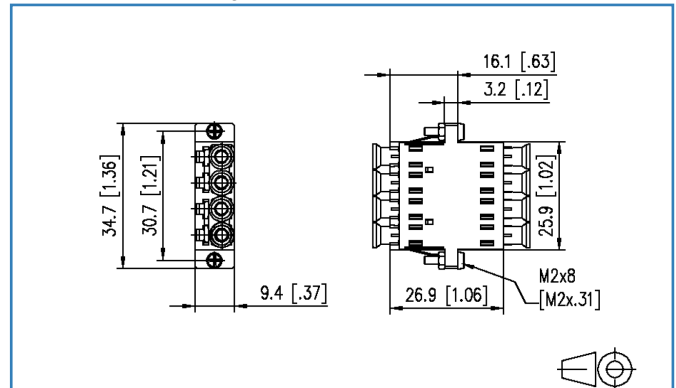
EAN 4251122190308

2018-13-03

Illustrations



Dimensional drawing



See enlarged drawings at the end of document

Product specification

- LC Quad plastic adapter, SC duplex design with metal clip
- slotted ceramic guide sleeves for single mode and multimode applications
- with transparent dust protection caps for a better visibility during red light test
- high material stability, surface quality and durability
- durability min. 1000 mating cycles with a ceramic guide sleeve
- screws and nuts included
- variants: blue (OS2), green (OS2 APC), lime green (OM5), violet (OM4), aqua (OM3), each variant available in packing units of 1 piece or 30 pieces



Technical Data

General Data

Fields of application	Structured building cabling, Fiber to the Desk, Data center
Design	Adapter
Transmission technology	Fiber optic
Color	aqua
Dimensions	
Dimension (L x W x H)	25.50 x 34.70 x 9.40 mm
Dimension (L x W x H)	1.004 x 1.366 x 0.37 in.
Mode type of the fiber	Multimode
Labeling option	on housing

Connections/interfaces

Connector technology interface 1	LC-Q
Connector technology interface 2	LC-Q
Number of ports interface 1	2
Number of ports interface 2	2
Number of equipped ports interface 1	2
Number of equipped ports interface 2	2
Number of ports with dust protection interface 1	2
Number of ports with dust protection interface 2	2

Mechanical characteristics

Cut-out	SC-D, LC-Q, ST-D
Connector type	Duplex
Mounting method	latchable and screwable
Life - Number of mating cycles	min. 1000
Position/mounting of latch - standard installation position	top

Materials and material properties

Material - Housing	Plastics
Material - Sleeve	ceramic, slotted



OpDAT LC-Q adapter OM3 (aqua) - 30 pieces

P/N

15090078-30

EAN 4251122190308

2018-13-03

Technical Data

Approvals

RoHS	compliant
------	-----------

The product meets the following standards

Fibre optic connector interfaces	IEC 61754-20
----------------------------------	--------------

Classifications

ETIM 5.0	EC000752
----------	----------

ETIM 6.0	EC000752
----------	----------

Packing details

Type of packaging	1 pc(s) / plastic bag
-------------------	-----------------------

Packaging dimension (D x W x H)	380.00 x 160.00 x 100.00 mm
---------------------------------	-----------------------------

Packaging dimension (D x W x H)	14.961 x 6.299 x 3.937 in.
---------------------------------	----------------------------



Illustrations

Dimensional drawing

