

Data sheet

OpDAT SC-D adapter OM2 (metallike)

Page 1/4

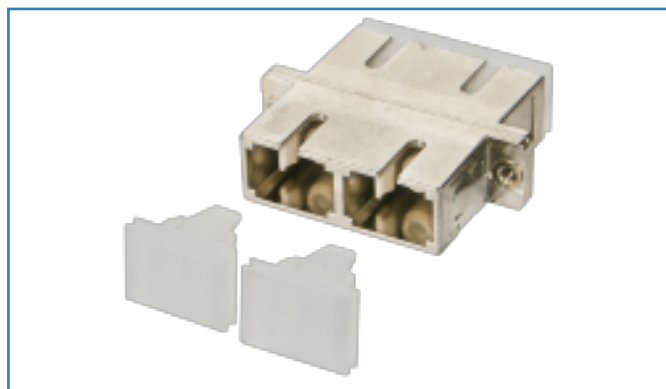
P/N

15090052-I

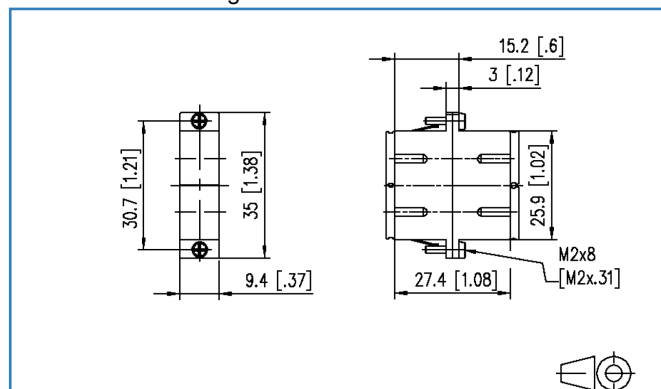
EAN 4250184109501

2018-13-03

Illustrations



Dimensional drawing



See enlarged drawings at the end of document

Product specification

- SC duplex adapter made of zinc die-cast
- slotted ceramic guide sleeves for singlemode and multimode applications
- with transparent dust protection caps for a better visibility during red light test
- high material stability, surface quality and durability
- durability min. 1000 mating cycles
- screws included
- variants: SC-D (SM or MM), SC-D APC (SM), packing units of 1 piece or 30 pieces

Technical Data

General Data

| | |
|-------------------------|---|
| Fields of application | Structured building cabling, Fiber to the Desk, Data center |
| Design | Adapter |
| Transmission technology | Fiber optic |
| Color | metallike |
| Dimensions | |
| Dimension (L x W x H) | 25.60 x 27.30 x 9.40 mm |
| Dimension (L x W x H) | 1.008 x 1.075 x 0.37 in. |
| Mode type of the fiber | Multimode |
| Labeling option | on housing |

Connections/interfaces

| | |
|--|------|
| Connector technology interface 1 | SC-D |
| Connector technology interface 2 | SC-D |
| Number of ports interface 1 | 1 |
| Number of ports interface 2 | 1 |
| Number of equipped ports interface 1 | 1 |
| Number of equipped ports interface 2 | 1 |
| Number of ports with dust protection interface 1 | 1 |
| Number of ports with dust protection interface 2 | 1 |

Mechanical characteristics

| | |
|--------------------------------|-------------------------|
| Cut-out | SC-D, LC-Q, ST-D |
| Connector type | Duplex |
| Mounting method | latchable and screwable |
| Life - Number of mating cycles | min. 1000 |

Materials and material properties

| | |
|--------------------|-----------------------|
| Material - Housing | GD-Zn (zinc die-cast) |
| Material - Sleeve | ceramic, slotted |



Technical Data

Environmental conditions

Temperature (min. - max.)

| | |
|----------------------------|--------------|
| Temperature - Storage °C | -40 - 90 °C |
| Temperature - Storage °F | -40 - 194 °F |
| Temperature - Operating °C | -40 - 85 °C |
| Temperature - Operating °F | -40 - 185 °F |

Approvals

| | |
|------|-----------|
| RoHS | compliant |
|------|-----------|

The product meets the following standards

| | |
|----------------------------------|-------------|
| Fibre optic connector interfaces | IEC 61754-4 |
|----------------------------------|-------------|

Classifications

| | |
|----------|----------|
| ETIM 5.0 | EC000752 |
| ETIM 6.0 | EC000752 |

Packing details

| | |
|---------------------------------|-----------------------------|
| Type of packaging | 1 pc(s) / plastic bag |
| Packaging unit - Weight (gram) | 22.00 g |
| Packaging unit - Weight (pound) | 0.05 lb |
| Packaging dimension (D x W x H) | 380.00 x 160.00 x 100.00 mm |
| Packaging dimension (D x W x H) | 14.961 x 6.299 x 3.937 in. |



Illustrations

Dimensional drawing

