

## Data sheet

### OpDAT PA patch panel unequipped for 12xSC-D/LC-Q/ST-D, gray

Page 1/6

P/N

1502205200-E

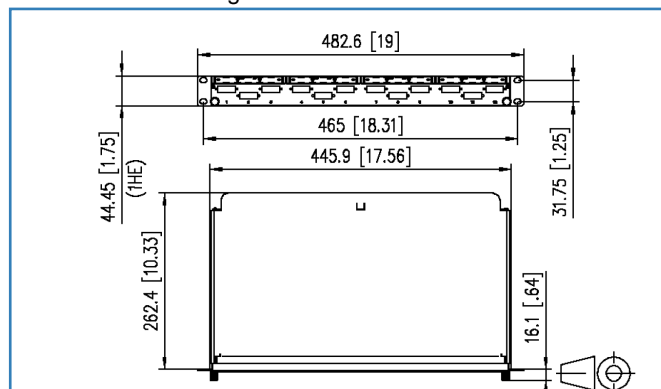
EAN 4250184108825

2017-24-08

## Illustrations



Dimensional drawing



See enlarged drawings at the end of document

## Product specification

- 19 inch 1RU fiber optic patch panel with pull-out splice tray / front cover
- splice tray can be removed completely for better mounting (pull-out stop)
- light aluminum construction
- unequipped
- variable cable entry (straight / inclined) from both sides possible
- cable support by means of cable ties or cable gland (accessories)
- cable diameter from 3 to 20 mm
- strain relief for central element / Kevlar
- cable management by means of freely positionable guide elements
- snap-on cover for easy access during service work
- label window for enclosed identification labels

### Variants

24x LC-D

12x SC-D

24x ST

### recesses for

LC-D, SC simplex, E2000 simplex

SC-D, LC-Q

ST



## OpDAT PA patch panel unequipped for 12xSC-D/LC-Q/ST-D, gray

P/N

1502205200-E

EAN 4250184108825

2017-24-08

### Technical Data

#### General Data

Fields of application	Office Data center
Design	patch panel
Mounting style	1RU
Color	anodized alu.
Dimensions	
Dimension (L x W x H)	262.40 x 482.60 x 44.45 mm
Dimension (L x W x H)	10.331 x 19.00 x 1.75 in.
Inches	19 inches
Height unit	1RU
Labeling option	label window with identification label + printed numbers

#### Connections/interfaces

Connector technology interface 1	SC-D
Number of ports interface 1	12
Number of equipped ports interface 1	0
Connector technology interface 2	SC-D
Number of ports interface 2	12
Number of ports interface 2 equipped	0
Cable sheath diameter (min. - max.)	
Cable sheath diameter	3.00 - 20.00 mm
Cable sheath diameter	0.118 - 0.787 in.
Cable access/outlet	straight or inclined, on the rear, from the left and right

#### Mechanical characteristics

Cut-out	SC-D, LC-Q, ST-D
strain relief	cable tie

#### Materials and material properties

Material - Housing	Al (Aluminium)
Material - Front cover	Al (Aluminium)
Material - Front cover finish	anodized
Material - Cover	Al (Aluminium)



Data sheet

Page 3/6

## OpDAT PA patch panel unequipped for 12xSC-D/LC-Q/ST-D, gray

P/N

1502205200-E

EAN 4250184108825

2017-24-08

### Technical Data

#### Environmental conditions

Temperature (min. - max.)

Temperature - Storage °C	-40 - 70 °C
Temperature - Storage °F	-40 - 158 °F
Temperature - Operating °C	-40 - 70 °C
Temperature - Operating °F	-40 - 158 °F

#### Approvals

RoHS	compliant
------	-----------

#### Classifications

ETIM 5.0	EC001130
ETIM 6.0	EC001130

#### Packing details

Type of packaging	1 pc(s) / box
Packaging unit - Weight (gram)	2405.00 g
Packaging unit - Weight (pound)	5.30 lb
Packaging dimension (W x H x D)	523.00 x 361.00 x 45.00 mm
Packaging dimension (W x H x D)	20.591 x 14.213 x 1.772 in.



## OpDAT PA patch panel unequipped for 12xSC-D/LC-Q/ST-D, gray

P/N

1502205200-E

EAN 4250184108825

2017-24-08

### Accessories

P/N	Designation
15090051-I	OpDAT ST-D adapter MM (ceramic, metallike)
15090052-I	OpDAT SC-D adapter MM (ceramic, metallike)
15090053-I	OpDAT ST-D/SC-D adapter MM (ceramic, metallike)
1509010000-E	OpDAT splice tray for 12 splices unequipped
899789-01	Label sheet for E-DAT C6 and E-DAT design patch panels
15090071-I	OpDAT LC-Q adapter SM (ceramic, blue)
150900C2-I	OpDAT SC-D adapter MM (Ph-Br, metallike)
150900D2-I	OpDAT SC-D adapter SM (ceramic, metallike/blue)
15090041-I	OpDAT ST-D adapter MM (Ph-Br, metallike)
150900C3-I	OpDAT SC-D/ST-D adapter MM (Ph-Br, metallike)
15090072-I	OpDAT LC-Q adapter MM (Ph-Br, beige)
150900D3-I	OpDAT ST-D/SC-D adapter SM (ceramic, metallike)
1509007A-I	OpDAT LC-Q APC adapter SM (ceramic, green)
15090078-I	OpDAT LC-Q adapter MM (ceramic, aqua)
15090079-I	OpDAT LC-Q adapter MM (ceramic, heather violet)
150900BA-I	OpDAT SC-D adapter MM (ceramic, aqua)
150900BB-I	OpDAT SC-D adapter MM (ceramic, heather violet)
150900B2-I	OpDAT SC-D adapter MM (ceramic, beige)
150900E2-I	OpDAT SC-D adapter SM (ceramic, blue)
150900F2-I	OpDAT SC-D APC adapter SM (ceramic, green)
150922EO00-E	OpDAT vorkonfektionierte Spleißkassette 12xSC PC OM2 mit Crimpspleißschutz
150925EO00-E	OpDAT vorkonfektionierte Spleißkassette 12xSC PC OM3 mit Crimpspleißschutz
150929EO00-E	OpDAT vorkonfektionierte Spleißkassette 12xSC UPC OS2 mit Crimpspleißschutz
150900D4-I	OpDAT SC-D APC adapter SM (ceramic, metallike/green)
15090052-30	OpDAT SC-D adapter MM (ceramic, metallike) - 30 pieces
15090071-30	OpDAT LC-Q adapter SM (ceramic, blue) - 30 pieces
15090078-30	OpDAT LC-Q adapter MM (ceramic, aqua) - 30 pieces
15090079-30	OpDAT LC-Q adapter MM (ceramic, heather violet) - 30 pieces
1509007A-30	OpDAT LC-Q APC adapter SM (ceramic, green) - 30 pieces
150900B2-30	OpDAT SC-D Kupplung MM (Keramik, beige) - 30 Stück
150900BA-30	OpDAT SC-D adapter MM (ceramic, aqua) - 30 pieces
150900BB-30	OpDAT SC-D adapter MM (ceramic, heather violet) - 30 pieces
150900D2-30	OpDAT SC-D adapter SM (ceramic, metallike/blue) - 30 pieces



Data sheet

Page 5/6

## OpDAT PA patch panel unequipped for 12xSC-D/LC-Q/ST-D, gray

P/N

1502205200-E

EAN 4250184108825

2017-24-08

### Accessories

150900D3-30	OpDAT ST-D/SC-D adapter SM (ceramic, metallike) - 30 pieces
150900D4-30	OpDAT SC-D APC adapter SM (ceramic, metallike/green)- 30 pieces
150900E2-30	OpDAT SC-D adapter SM (ceramic, blue) - 30 pieces
150900F2-30	OpDAT SC-D APC adapter SM (ceramic, green) - 30 pieces



Data sheet

## OpDAT PA patch panel unequipped for 12xSC-D/LC-Q/ST-D, gray

Page 6/6

P/N

1502205200-E

EAN 4250184108825

2017-24-08

### Illustrations

Dimensional drawing

