

# Data sheet

## COAX modul IEC jack / F jack

Page 1/3

P/N

130898-02-I

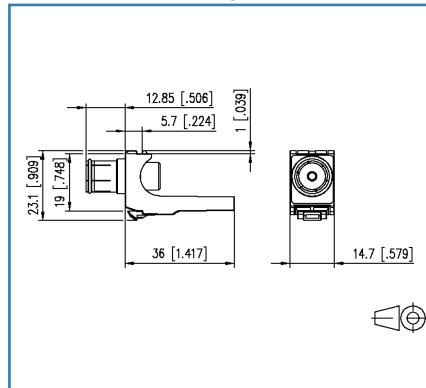
EAN 4250184105312

2017-29-03

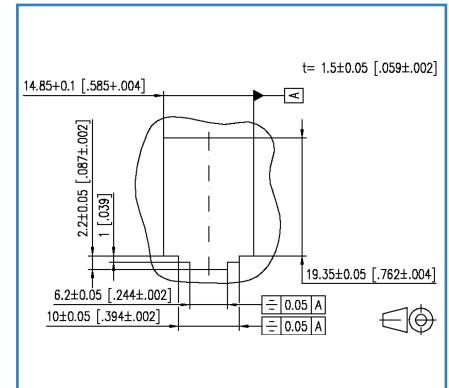
### Illustrations



Dimensional drawing



Cut-out



See enlarged drawings at the end of document

### Product specification

- Coax connector with adapter in module design, suitable for module applications
- front connection: for IEC plug
- rear connection: for F plug
- 75-Ohm throughput coupling
- without terminator and coupler elements

### Technical Data

#### General Data

Design	Jack
Shielding	shielded
Transmission technology	Copper
Color	light gray
Modularity	yes

#### Connections/interfaces

Connector technology interface 1	KOAX IEC
Connector technology interface 2	KOAX F
Number of ports interface 1	1
Number of ports interface 2	1
Number of equipped ports interface 1	1
Number of ports interface 2 equipped	1

#### Mechanical characteristics

Cut-out	Modul
---------	-------

#### Environmental conditions

Electromagnetic measurement	E <sub>1</sub>
-----------------------------	----------------

#### Approvals

RoHS	compliant
------	-----------

#### Classifications

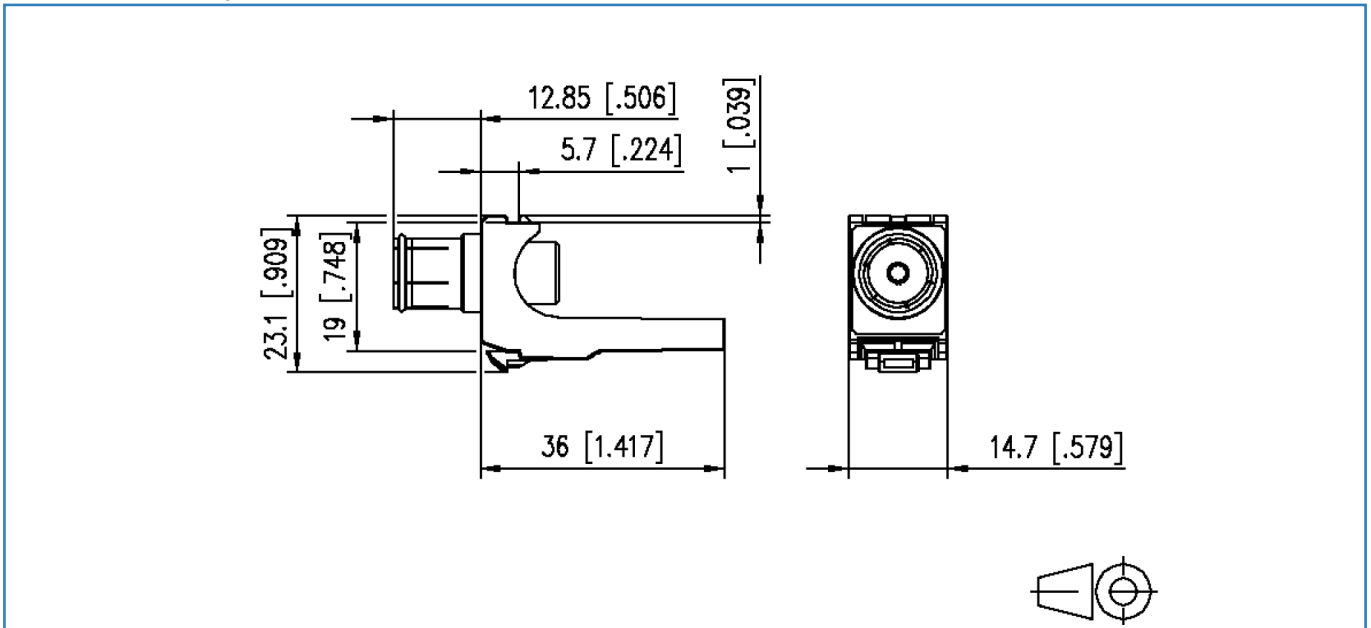
ETIM 5.0	EC001135
ETIM 6.0	EC001135

#### Packing details

Type of packaging	10 pc(s) / box
Packaging unit - Weight (gram)	197.00 g
Packaging unit - Weight (pound)	0.43 lb
Packaging dimension (W x H x D)	247.00 x 161.00 x 58.00 mm
Packaging dimension (W x H x D)	9.724 x 6.339 x 2.283 in.

Illustrations

Dimensional drawing



Cut-out

