

Data sheet

COAX modul F jack / F jack

Page 1/4

P/N
130898-01-I

EAN 4250184105305

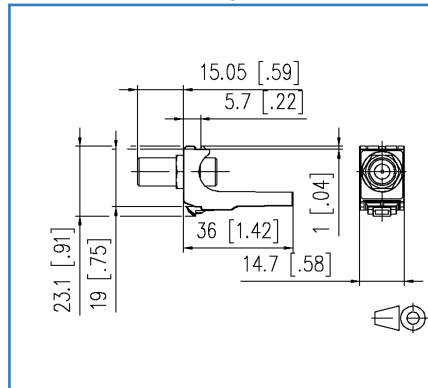
2020/04/28

Version: Z

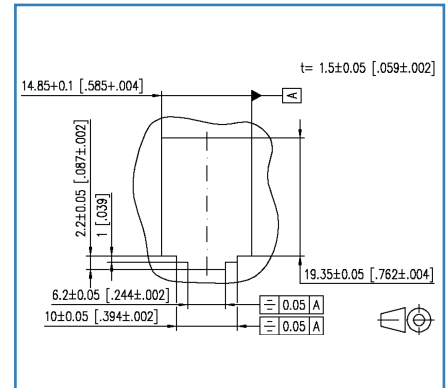
Illustrations



Dimensional drawing



Cut-out



See enlarged drawings at the end of document

Product specification

- Coax connector with adapter in module design, suitable for module applications
- front connection: for F plug
- rear connection: for F plug
- 75-Ohm throughput coupling
- without terminator and coupler elements



Data sheet COAX modul F jack / F jack

Page 2/4

P/N
130898-01-I
EAN 4250184105305
2020/04/28
Version: Z

Technical Data

General Data	
Design	Jack
Shielding	shielded
Transmission technology	Copper
Color	light gray
Dimensions	
Dimension (L x W x H)	36 mm x 14.7 mm x 23.1 mm
Dimension (L x W x H)	1.417 in. x 0.579 in. x 0.909 in.
Modularity	yes
Connections/interfaces	
Number of ports interface 1	1
Number of ports interface 2	1
Number of equipped ports interface 1	1
Number of ports interface 2 equipped	1
Mechanical data	
Cut-out	module
Materials and material properties	
RoHS	compliant
Environmental conditions	
Electromagnetic measurement	E1
Classifications	
ETIM 5.0	EC001135
ETIM 6.0	EC001135
ETIM 7.0	EC001135
Packing details	
Type of packaging	10 pc(s) / box
Packaging unit - Weight (gram)	170 g
Packaging unit - Weight (pound)	0.37 lb
Packaging dimension (W x H x D)	258 mm x 164 mm x 51 mm
Packaging dimension (W x H x D)	10.157 in. x 6.457 in. x 2.008 in.

Data sheet

COAX modul F jack / F jack

Page 3/4

P/N

130898-01-I

EAN 4250184105305

2020/04/28

Version: Z

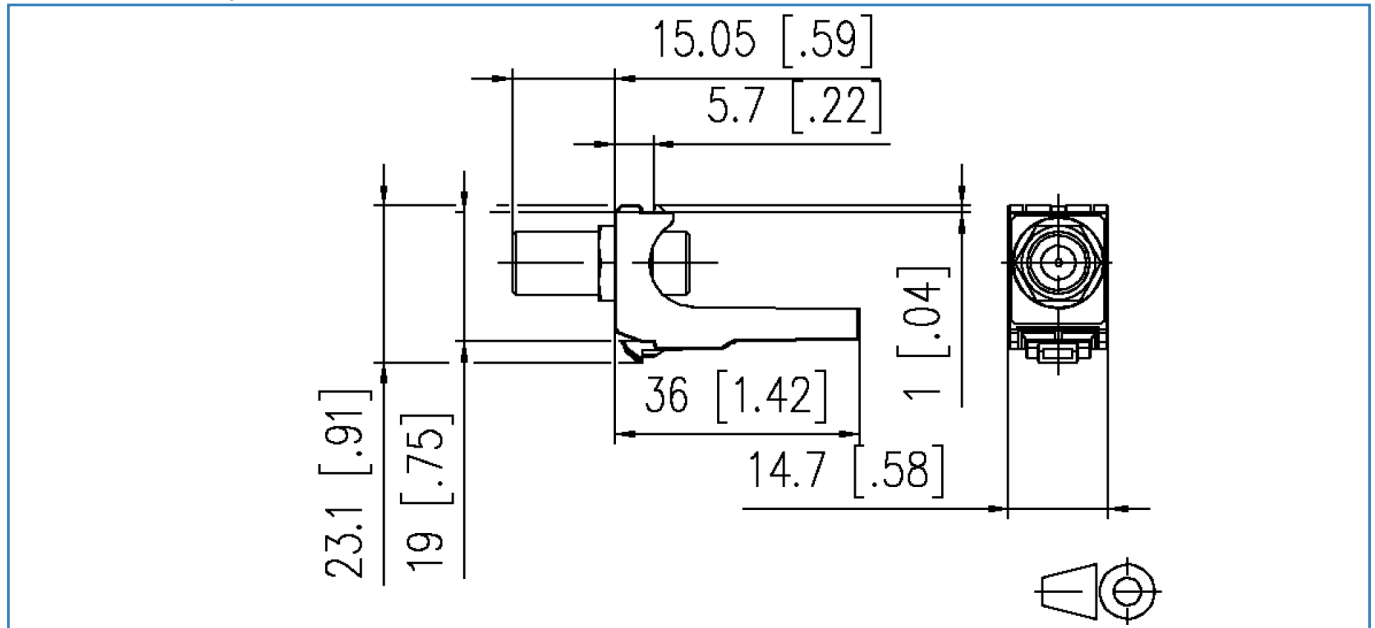
Zubehör von

P/N	Designation
130B10E2E-E	Modul module frame 3RU, 7HP 6 port stainless steel unequipped



Illustrations

Dimensional drawing



Cut-out

